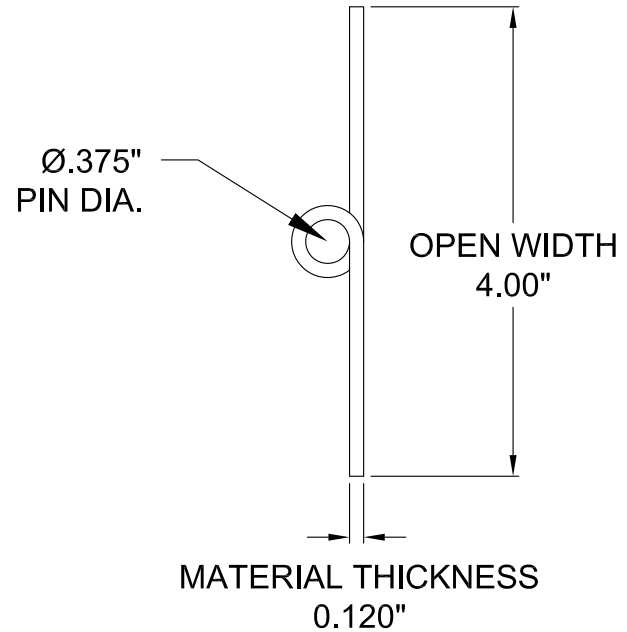



**NOTES**

- BLANK ALUMINUM CONTINUOUS HINGE



APPROVED BY	 <b>JEFCO MFG INC</b> FT. LAUDERDALE PH 954-527-4220 WWW.JEFCOMFG.COM	MATERIAL: <b>ALUMINUM</b>	MATERIAL ALLOY: <b>5005</b>	FINISH: <b>MILL</b>	DATE: <b>01/27/2023</b>	DWG BY: <b>AG</b>
SIGN		REVISIONS:	TOLERANCES: <small>STANDARD DIE CUT EDGES. ALL DIMENSIONS TO BE HELD TO ±.015". NOTE ALL PRODUCTS ARE QUOTED USING STANDARD MILL GAGE MATERIAL. DO NOT SCALE</small>	DESC: <b>A-120400-375-2 X 72" B</b>		
PRINT		COMPANY: <b>JEFCO MFG INC</b>			NO: <b>10055</b>	