

APPROVED BY

SIGN

PRINT



**JEFCO MFG INC**  
**FT. LAUDERDALE**  
 PH 954-527-4220  
 WWW.JEFCOMFG.COM

MATERIAL:

**Stainless Steel**

REVISIONS:

MATERIAL ALLOY:

**T-304**

TOLERANCES:

STANDARD DIE CUT EDGES.  
 ALL DIMENSIONS TO BE HELD TO  
 +/- .015"  
 NOTE ALL PRODUCTS ARE QUOTED  
 USING STANDARD MILL GAGE  
 MATERIAL. DO NOT SCALE

FINISH:

**Mill**

DESC:

**S.S 11 GA. Cane Bolt Guide**

COMPANY:

DATE:

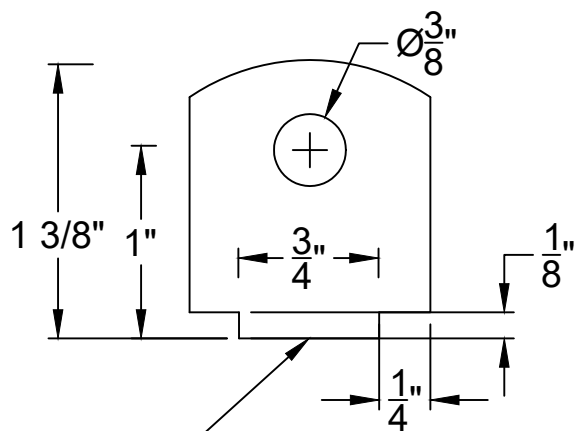
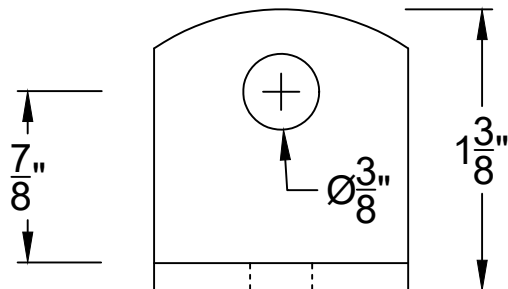
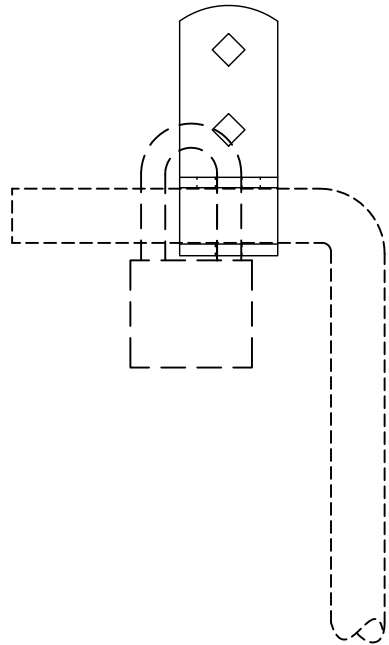
**11/19/08**

DWG BY:

**SPK**

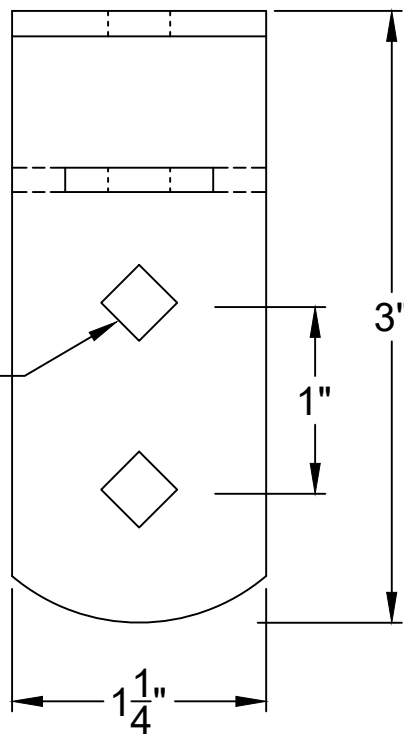
NO:

**11518**

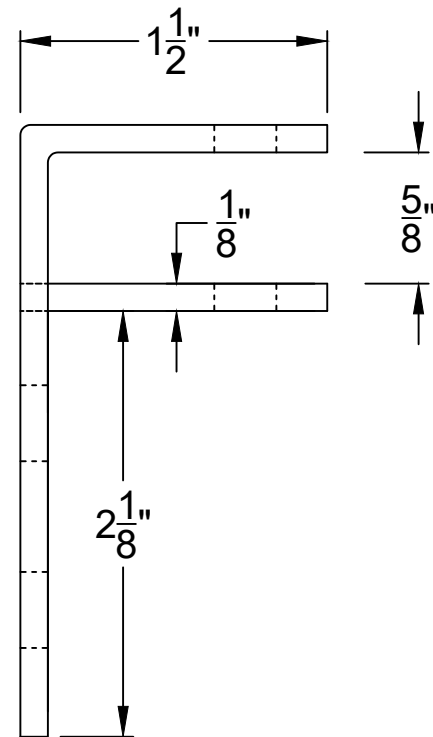


WELDED INSERT

5/16" SQUARE HOLES



.120" (1/8") MATERIAL THICKNESS



APPROVED BY

SIGN

PRINT

JEFECO MFG INC  
FT. LAUDERDALE  
PH 954-527-4220  
WWW.JEFECOMFG.COM

MATERIAL:  
Stainless Steel

REVISIONS:  
11903-REV.2

MATERIAL ALLOY:  
304

TOLERANCES:  
STANDARD DIE CUT EDGES.  
ALL DIMENSIONS TO BE HELD TO  
±.015"  
NOTE ALL PRODUCTS ARE QUOTED  
USING STANDARD MILL GAGE  
MATERIAL. DO NOT SCALE

FINISH:  
Mill

DESC:  
S. S. 11 GA. Locking Bracket

COMPANY:  
JEFECO MFG INC.

DATE:  
05/26/2022

DWG BY:  
SPK/AG

NO:  
11903